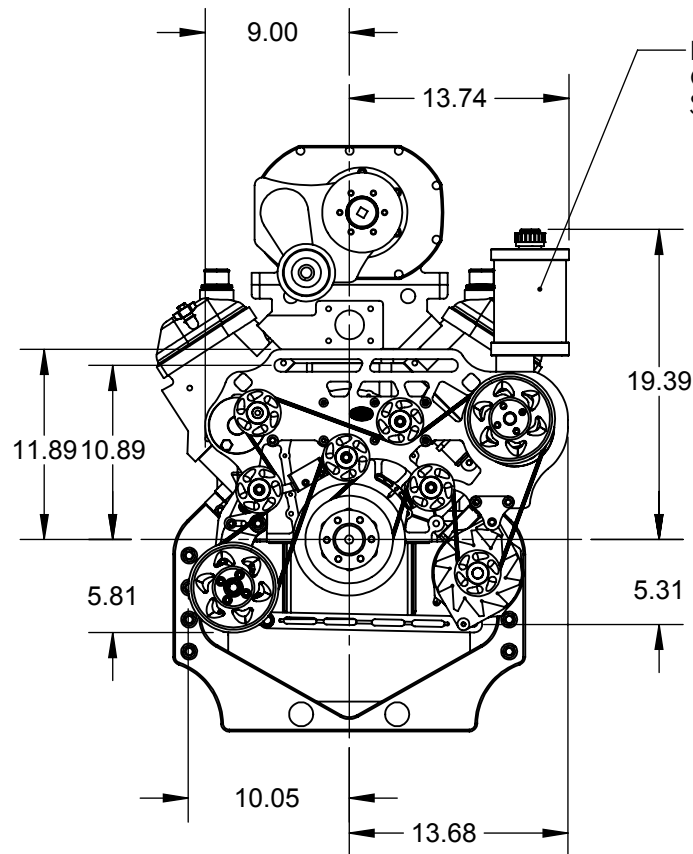
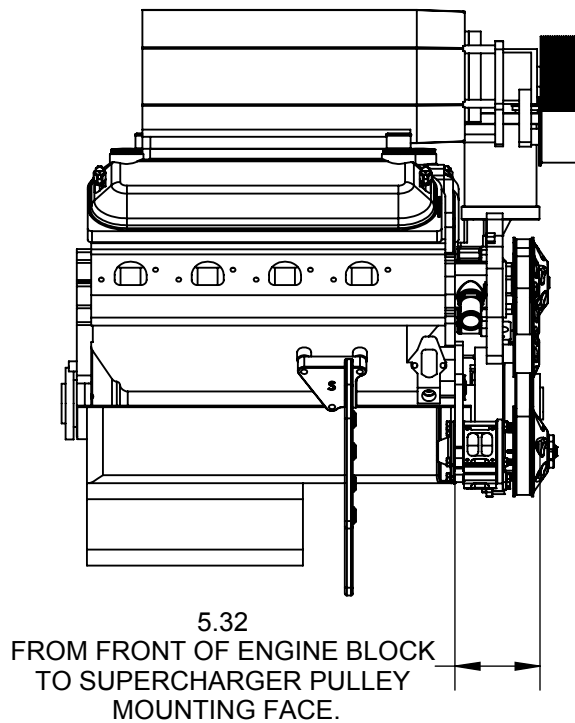
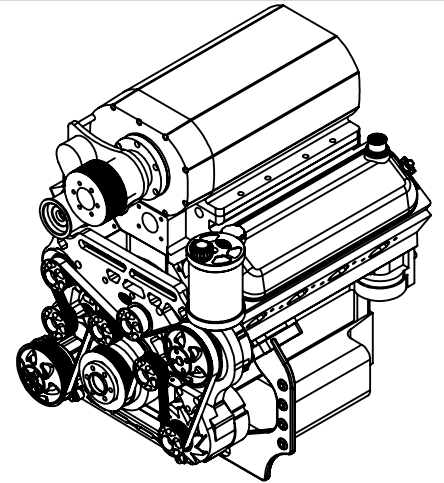


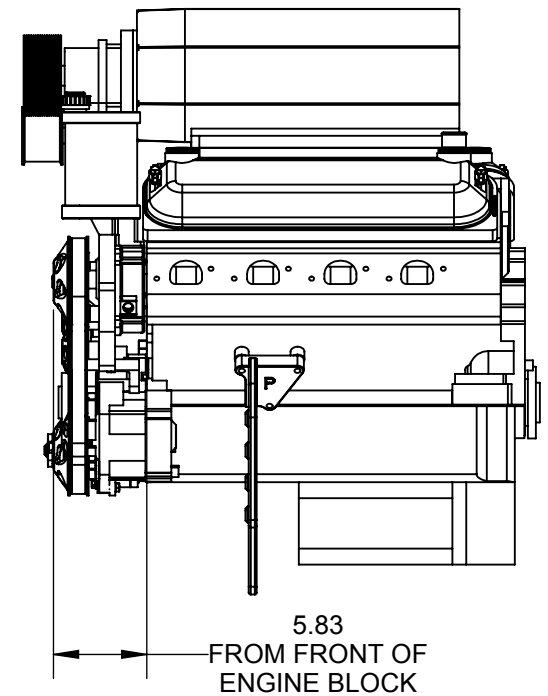
HARDIN 11 Industry Dr. Palm Coast, FL 32137
MARINE 386-445-2500 / FAX 386-445-1122

DESCRIPTION:
SERPENTINE DRIVE KIT

PART NO.: 625-8243



DRAWING SHOWN WITH
OPTIONAL 137-9021 POWER
STEERING RESERVOIR.



ALL DIMENSIONS ARE FROM CRANKSHAFT CENTERLINE